

# DH-HAP200

## Hi-fidelity Pickup



### Features

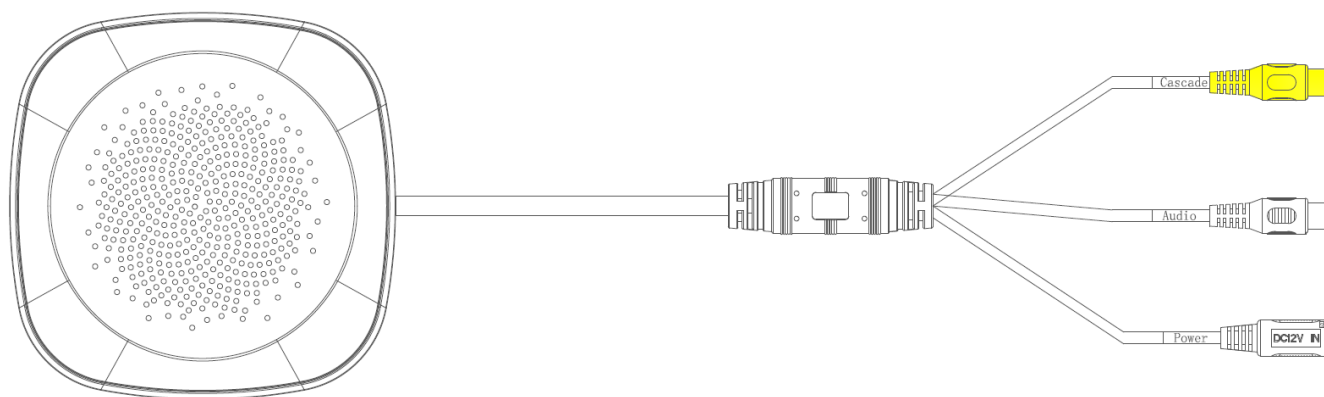
- Plastic material
- Easy to install
- ALC processing circuit
- Basic noise reduction
- Support cascading

## Technical Specifications

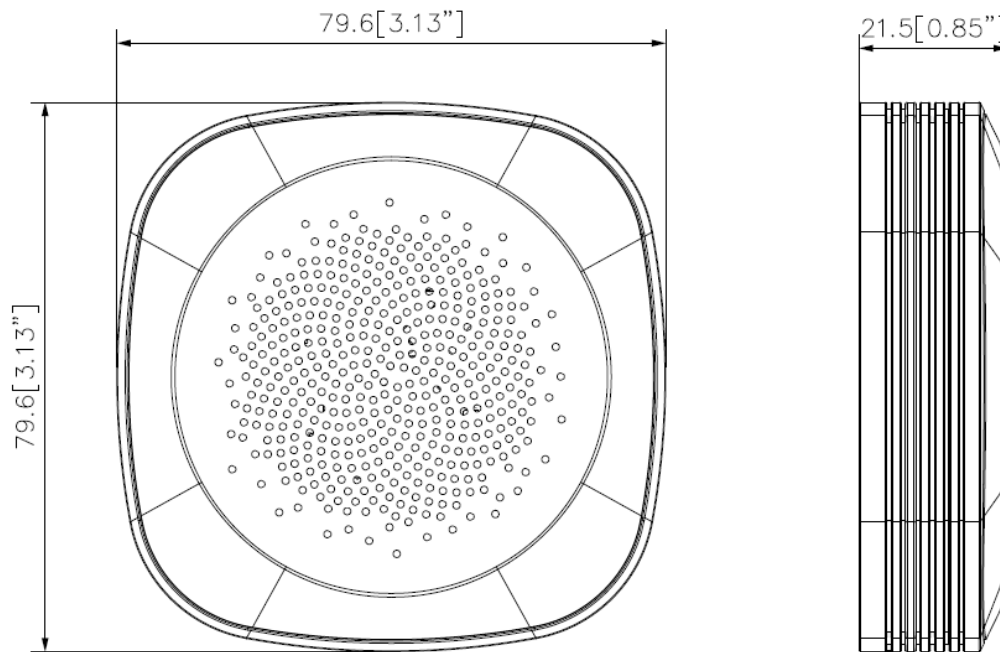
|                                 |  |
|---------------------------------|--|
| <b>Model</b>                    | <b>DH-HAP200</b>   |
| <b>General</b>                  |  |
| Scope                           | 10~100 m <sup>2</sup>  |
| Sensitivity                     | -30dB  |
| Frequency response              | 20Hz~20kHz   |
| Directional characteristic      | Omni-directional   |
| SNR                             | 80dB(1m 40dB sound source SPL)<br>50dB(10m 45dB sound source SPL)<br>1kHz at 1Pa |
| Dynamic range                   | 104dB(1KHz at Max dB SPL)  |
| Max. sustainable sound pressure | 120dB SPL(1KHz, THD 1%)  |
| Output impedance                | 600Ω(non-equilibrium)  |
| Output signal amplitude         | 2.5Vpp/-25dB   |
| Microphone                      | Electret condenser microphone  |
| Working voltage                 | DC 12V(9~18V)  |
| Working current                 | 50mA   |
| Working temperature             | -25°C~+70°C(-13°F ~+158°F)   |
| Material                        | PC+ABS   |
| Color                           | White+silver   |
| Dimension                       | 79.6mmx79.6mmx21.5mm (3.13"x3.13" x0.85")  |
| Weight                          | 0.06kg(0.13lb)   |
| Certification                   | CE/FCC   |

## Interface information

- RCA female connector \*2
- DC power connector



## Dimensions (mm/inch)



## Package Information

- Hi-fidelity pickup \*1
- ST4x25 screw \*3
- Plastic anchor \*3
- Mounting sticker\*1